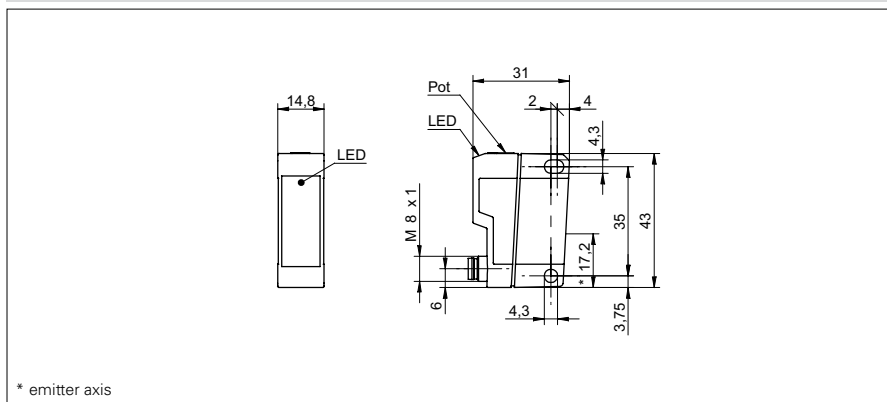


Diffuse sensors with intensity difference

FZDK 14

sample drawing



general data

type	intensity difference
light source	pulsed red LED
sensing distance T_w	5 ... 600 mm
alignment / soiled lens indicator	flashing light indicator
light indicator	LED yellow
sensitivity adjustment	potentiometer, 270°
wave length	660 nm
suppression of reciprocal influence	yes

electrical data

response time / release time	< 1 ms
voltage supply range +Vs	10 ... 30 VDC
current consumption max.	25 mA
current consumption typ.	20 mA
voltage drop Vd	< 1,8 VDC
output function	light / dark operate
output current	< 100 mA
short circuit protection	yes
reverse polarity protection	yes

mechanical data

width / diameter	14,8 mm
height / length	43 mm
depth	31 mm
type	rectangular
housing material	plastic (ASA, MABS)
front (optics)	PMMA

ambient conditions

operating temperature	-25 ... +65 °C
protection class	IP 67

sample picture



Diffuse sensors with intensity difference

FZDK 14

order reference	connection types	output circuit
FZDK 14N5101	cable 4 pin, 2 m	NPN
FZDK 14N5101/S35A	connector M8 4 pin	NPN
FZDK 14P5101	cable 4 pin, 2 m	PNP
FZDK 14P5101/S14	connector M12 4 pin	PNP
FZDK 14P5101/S35A	connector M8 4 pin	PNP