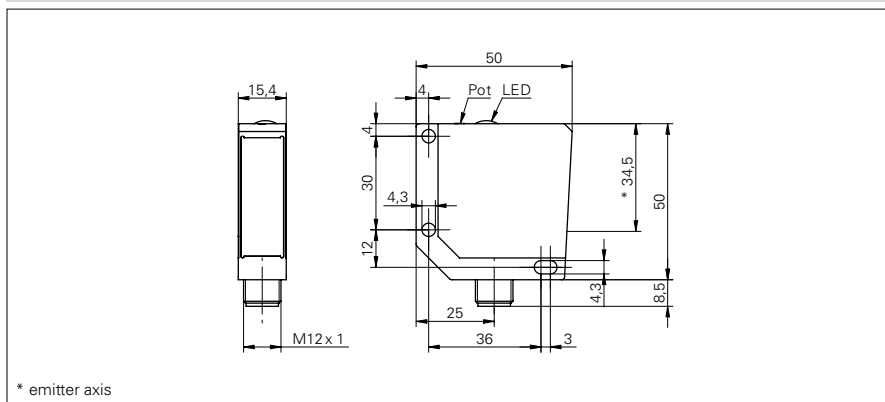


Diffuse sensors with foreground suppression

ONDM 16 (Laser)

sample drawing



general data

type	foreground suppression
light source	pulsed red laser diode
sensing distance T_w	25 ... 200 mm
sensing range T_b (at T_w max.)	200 ... 500 mm
sensing range T_b (at T_w min.)	25 ... 45 mm
repeat accuracy	< 0,1 mm at laser focus
light indicator	LED yellow
sensing distance adjustment	mechanical, 8 turn
laser class	2
distance to focus	80 mm
wave length	650 nm
suppression of reciprocal influence	yes

electrical data

response time / release time	< 0,6 ms
voltage supply range +Vs	10 ... 30 VDC
current consumption max.	35 mA
current consumption typ.	25 mA
voltage drop V_d	< 2 VDC
output function	light / dark operate
output circuit	PNP
output current	< 200 mA
short circuit protection	yes
reverse polarity protection	yes

mechanical data

width / diameter	15,4 mm
height / length	50 mm
depth	50 mm
type	rectangular
housing material	die-cast zinc
front (optics)	glass

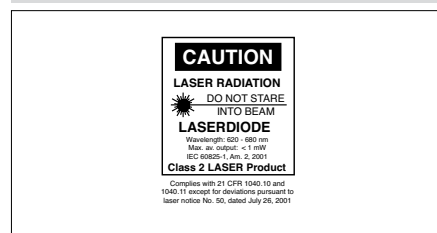
ambient conditions

operating temperature	-10 ... +50 °C
protection class	IP 67

sample picture



laser warning



Diffuse sensors with foreground suppression

ONDM 16 (Laser)

order reference	connection types
ONDM 16P5101	cable 4 pin, 2 m
ONDM 16P5101/S14	connector M12 4 pin