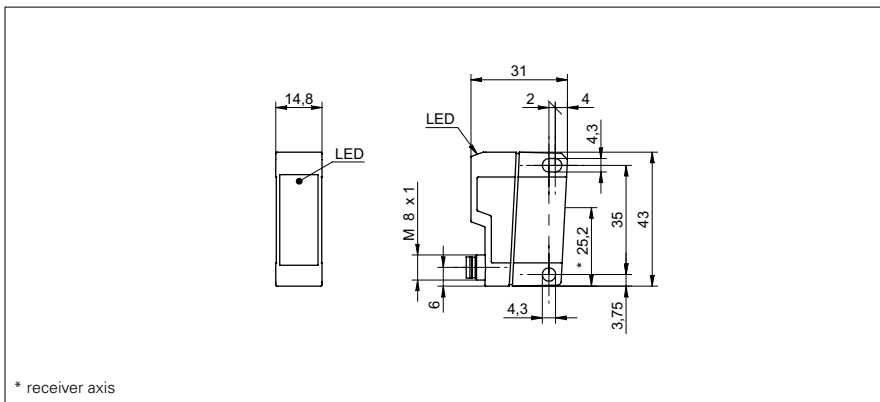


## Through beam sensors

## OEDK 14 (Laser)

## sample drawing



## general data

type	through beam laser sensor
emitter / receiver	receiver
actual range $S_b$	8 m
nominal range $S_n$	10 m
alignment / soiled lens indicator	flashing light indicator
light indicator	LED yellow
sensitivity adjustment	no

## sample picture



## electrical data

response time / release time	< 0,5 ms
voltage supply range +Vs	10 ... 30 VDC
current consumption max.	20 mA
current consumption typ.	20 mA
voltage drop Vd	< 1,8 VDC
output function	light / dark operate
output current	< 100 mA
short circuit protection	yes
reverse polarity protection	yes

## mechanical data

width / diameter	14,8 mm
height / length	43 mm
depth	31 mm
type	rectangular
housing material	plastic (ASA, MABS)
front (optics)	PMMA

## ambient conditions

operating temperature	-25 ... +65 °C
protection class	IP 67

**Through beam sensors****OEDK 14 (Laser)**

<b>order reference</b>	<b>connection types</b>	<b>output circuit</b>
<b>OEDK 14N5101</b>	cable 4 pin, 2 m	NPN
<b>OEDK 14N5101/S14</b>	connector M12 4 pin	NPN
<b>OEDK 14N5101/S35A</b>	connector M8 4 pin	NPN
<b>OEDK 14P5101</b>	cable 4 pin, 2 m	PNP
<b>OEDK 14P5101/S14</b>	connector M12 4 pin	PNP
<b>OEDK 14P5101/S35A</b>	connector M8 4 pin	PNP