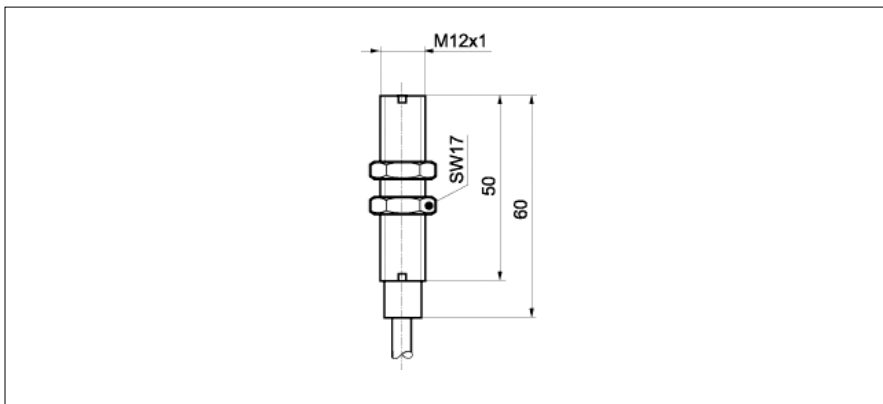


Hall sensors

IHRM 12P1501

dimension drawing



general data

sensor type	Hall sensor
air gap for module	1 mm (module 1), 2,5 mm (module 3)
gear material	ferromagnetic

electrical data

switching frequency	< 20 kHz
voltage supply range +Vs	8 ... 28 VDC
current consumption max.	20 mA
output A	PNP
output current	< 30 mA
voltage drop Vd	< 3 VDC
short circuit protection	yes
reverse polarity protection	yes

mechanical data

type	cylindrical
housing material	stainless steel
dimension	12 mm
housing length	60 mm
installation aid	keyway
connection types	cable, 2 m

ambient conditions

operating temperature	-40 ... +120 °C
protection class (sensing face)	IP 68
protection class (sensor)	IP 67

photo



connection diagram

