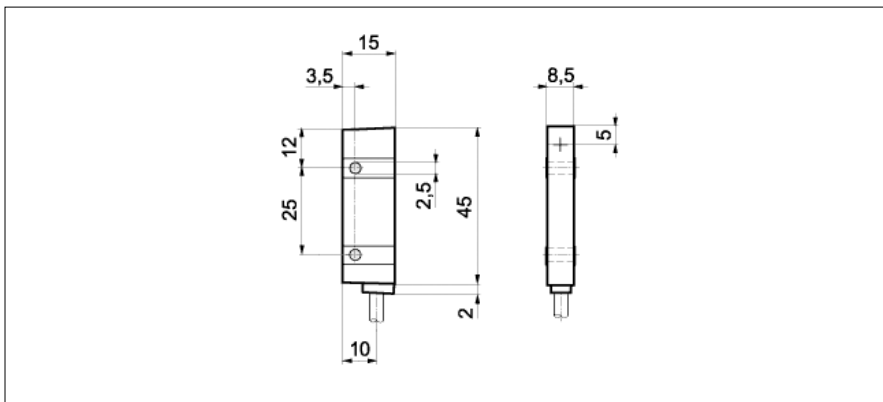


Magnetic sensors

MLFK 08

sample drawing



electrical data

short circuit protection yes

mechanical data

type rectangular
 housing material PC
 dimension 15 mm
 housing length 45 mm

ambient conditions

protection class IP 67

sample picture



order reference	air gap	resolution	voltage supply range +Vs	interpolation	switching frequency	output signal	output circuit
MLFK 08G2101	< 1 mm	< 0,07 mm	8 ... 30 VDC	8 times	< 160 kHz	CH A/B	2 channel push-pull
MLFK 08T7101	< 1 mm	< 0,07 mm	4,75 ... 5,25 VDC	8 times	< 160 kHz	CH A/B + inverted	2 channel complementary RS 422
MLFK 08T7105/N16X	< 0,3 mm	< 0,02 mm	4,75 ... 5,25 VDC	16 times	< 3200 kHz	CH A/B + inverted	2 channel complementary RS 422
MLFK 08T7105/N25X	< 0,3 mm	< 0,01 mm	4,75 ... 5,25 VDC	25 times	< 3200 kHz	CH A/B + inverted	2 channel complementary RS 422