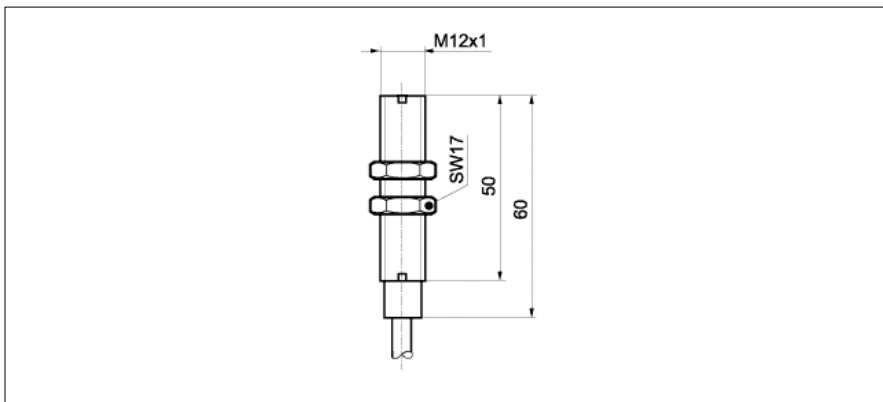


Hall sensors

MHRM 12G2501

dimension drawing



general data

sensor type	Hall sensor
air gap for module	0,5 mm (module 1), 1 mm (module 3)
gear material	ferromagnetic

electrical data

switching frequency	< 15 kHz
voltage supply range +Vs	8 ... 28 VDC
current consumption max.	20 mA
output A	push-pull
output B	push-pull
voltage drop Vd	< 5 VDC
short circuit protection	yes
reverse polarity protection	yes, Vs to GND

mechanical data

type	cylindrical
housing material	stainless steel
dimension	12 mm
housing length	60 mm
installation aid	keyway
connection types	cable, 2 m

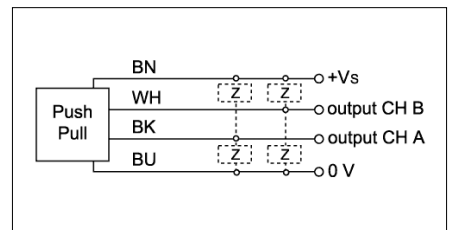
ambient conditions

operating temperature	-40 ... +120 °C
protection class (sensing face)	IP 68
protection class (sensor)	IP 67

photo



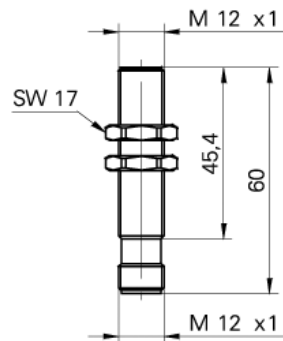
connection diagram



Hall sensors

MHRM 12 (Sn = 1,8 mm)

sample drawing



general data

sensor type	Hall sensor
air gap for module	0,7 mm (module 1), 1,8 mm (module 2)
min. gear size	module 1
gear material	ferromagnetic

electrical data

switching frequency	< 15 kHz
voltage supply range +Vs	8 ... 28 VDC
current consumption max.	20 mA
output A	push-pull
output B	none
output current	< 30 mA
voltage drop Vd	< 5 VDC
short circuit protection	yes
reverse polarity protection	yes, Vs to GND

mechanical data

type	cylindrical
housing material	brass nickel plated
dimension	12 mm

ambient conditions

operating temperature	-40 ... +85 °C
protection class (sensing face)	IP 67
protection class (sensor)	IP 67

order reference	housing length	connection types
MHRM 12G5501	50 mm	cable, 2 m
MHRM 12G5501/S14	60 mm	connector

sample picture

