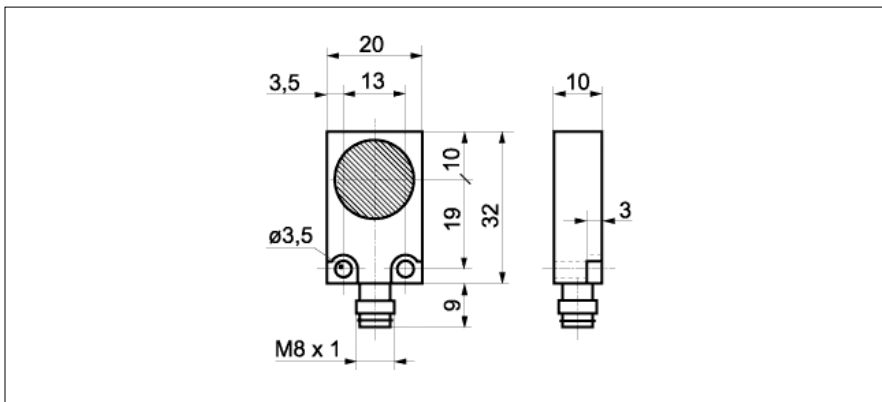


Magnetic encoders

MDFM 20U4501/S35A

dimension drawing



general data

angular range	linear $\pm 11^\circ$
linearity error	typ. 2,5 %
zero point setting	coarse: by keyway; fine: seq. electronic
temperature coefficient	-0,3 % K

electrical data

switching frequency	< 20 kHz
voltage supply range +Vs	4,75 ... 5,25 VDC
current consumption max.	10 mA
output signal	2 Vpp (sin, 2 periods / rev)
signal type	sine / cosine
load resistance	> 400 Ohm

mechanical data

shaft type	hollow shaft 6 x 15 mm
connection types	connector
type	rectangular
housing material	brass nickel plated
dimension	32 mm
material (rotor)	aluminum anodized
installation tolerance horizontal	$\pm 0,5$ mm
installation tolerance longitudinal	$\pm 0,5$ mm

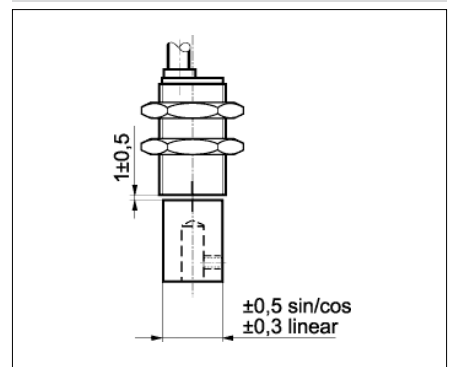
ambient conditions

operating temperature	-20 ... +85 °C
protection class	IP 67

photo



mounting tolerances



rotor

