

Autonics

DIGITAL PANEL METER M4M SERIES

M A N U A L



Thank you very much for selecting Autonics products.
For your safety, please read the following before using.

Caution for your safety

- ※ Please keep these instructions and review them before using this unit.
- ※ Please observe the cautions that follow;
- Warning** Serious injury may result if instructions are not followed.
- Caution** Product may be damaged, or injury may result if instructions are not followed.
- ※ The following is an explanation of the symbols used in the operation manual.
- Caution:** Injury or danger may occur under special conditions.

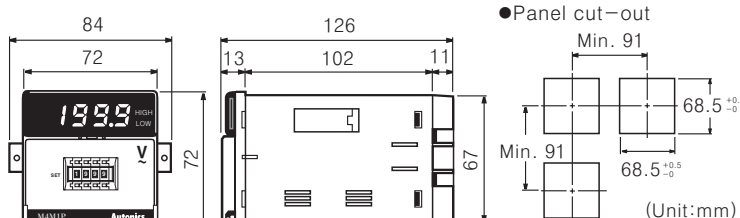
Warning

- In case of using this unit with machineries(Nuclear power control, medical equipment, vehicle, train, airplane, combustion apparatus, entertainment or safety device etc), it requires installing fail-safe device, or contact us for information on type required.**
It may result in serious damage, fire or human injury.
- It must be mounted on panel.**
It may give an electric shock.
- Do not repair or check up when power on.**
It may give an electric shock.
- Do not disassemble and modify this unit, when it requires.**
If needs, please contact us.
It may give an electric shock and cause a fire.
- Please check the number of terminal when connect power line or measuring input.**
It may cause a fire.

Caution

- This unit shall not be used outdoors.**
It might shorten the life cycle of the product or give an electric shock.
- When wire connection, No.20AWG(0.50mm²) should be used and screw bolt on terminal block with 0.74N · m to 0.90N · m strength.**
It may result in malfunction or fire due to contact failure.
- Please observe specification rating.**
It might shorten the life cycle of the product and cause a fire.
- Do not use the load beyond rated switching capacity of Relay contact.**
It may cause insulation failure, contact melt, contact failure, relay broken, fire etc.
- In cleaning the unit, do not use water or an oil-based detergent.**
It might cause an electric shock or fire that will result in damage to this product.
- Do not use this unit at place where there are flammable or explosive gas, humidity, direct ray the sun, radiant heat, vibration, impact etc.**
It may cause explosion.
- Do not inflow dust or wire dregs into inside of this unit.**
It may cause a fire or mechanical trouble.
- Please connect properly after checking the polarity of measuring terminals.**
It may cause a fire or explosion.

Dimensions



※ The above specifications are changeable at anytime without notice.

Ordering information

M 4 M					Main function
M					Meter
4					4Digit(3½)
M					DIN size W72 × H72mm
					Indication type
	1	P			Single setting type
	2	P			Double setting type
					DC Type
					AC Type
					Volt Meter
					Ampere Meter
					Watt Meter
					Tachometer
					Line Speed Meter
					Scaling Meter
					AVG value
					RMS value
Display type function					
Measuring range				X	Measuring range by each specification

Measuring range

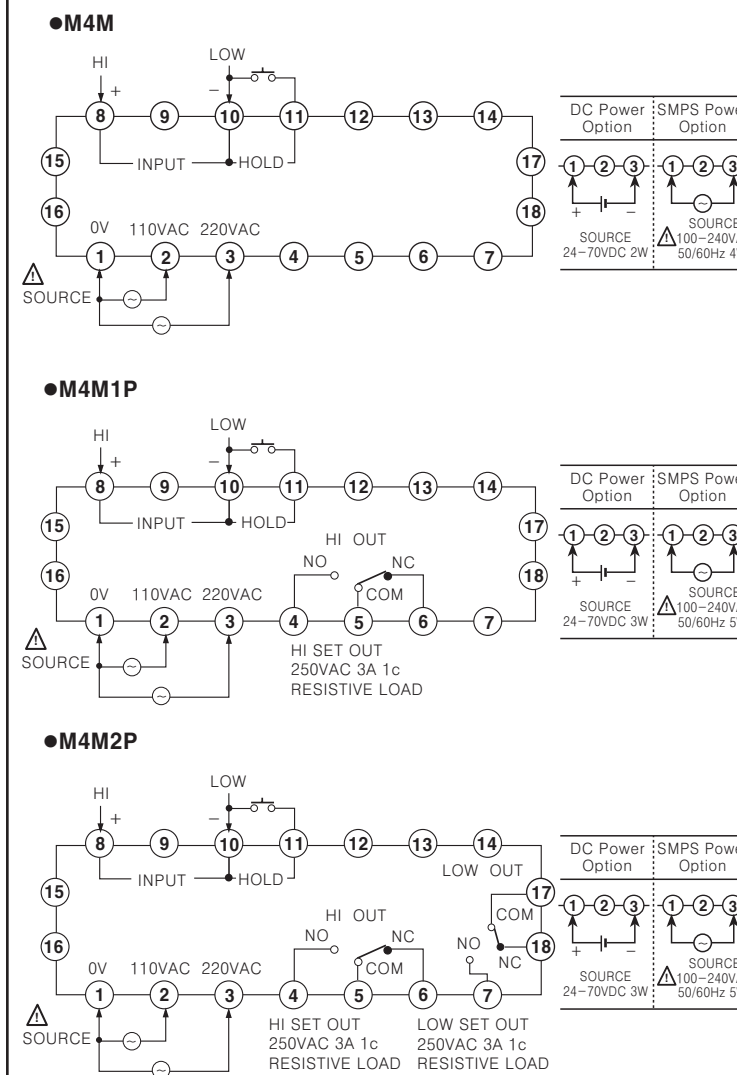
Range Model	1	2	3	4	5	6	7	8
AV	199.9mV	1.999V	19.99V	199.9V		400V		
AA	19.99mA	1.999mA	1.999A	19.99A	199.9A	1999A		
DV	199.9mV	1.999V	19.99V	199.9V	300V			
DA	199.9μA	1.999mA	19.99mA	199.9mA	1.999A	19.99A	199.9A	1999A
W	199.9W	1.999kW	19.99kW	199.9kW	1999kW			
T	DC1999	AC1999						
S	DC1999	AC1999						
DI	Option(Display:0~1999)							

- When measure over 2ADC, please use Shunt and measure over 5AAC, please use C · T (Current Transformer).
- Power converter should be used with Watt meter and Tacho/Speed meter should be used with Tacho-generator.

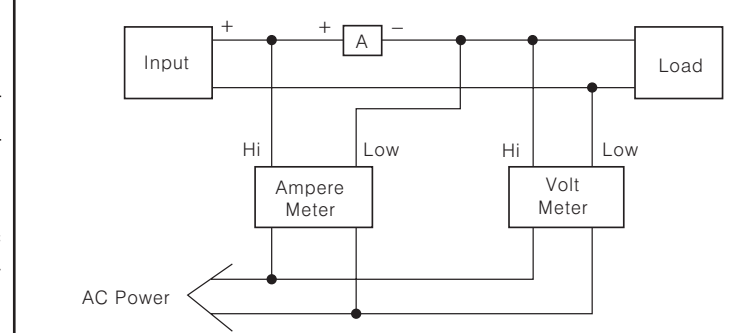
Specifications

Model	M4M-DV-□	M4M-AV-□	M4M-DA-□	M4M-AA-□	M4M-W-□	M4M-T-□-□	M4M-S-□-□	M4M-DI
Max. input	Max. 300V	Max. 400V	Max. 2A	Max. 5A	Max. 10VDC	Max. 10VDC, Max. 10VAC	1-5VDC, 4-20mADC	
Max. display range	150% for input spec. (At AC400V:120%) Max. 1999(Fixed decimal point)							
Measurement function	DC Voltage	AC Voltage	DC Ampere	AC Ampere	AC Watt	rpm	Speed	Scaling meter
Power supply	110/220VAC 50/60Hz(Option:100-240VAC 50/60Hz, 24-70VDC)							
Allowable voltage range	90 to 110% of rated voltage							
Power consumption	DC:2W, AC:4VA (At 1P · 2P-DC:3W, AC:5VA)							
Display method	7Segment LED Display (3½ Digit)							
Sampling cycle	300ms							
A/D conversion method	Dual slope intergal method							
Response time	2sec. (0 to Max.)							
Sampling times	2.5 times/sec.							
Insulation resistance	Min. 100MΩ (at 500VDC)							
Dielectric strength	2000VAC 50/60Hz for 1 minute							
Noise strength	±1kV the square wave noise(pulse width:1μs) by the noise simulator							
Vibration	Mechanical	0.75mm amplitude at frequency of 10 to 55Hz in each of X, Y, Z directions for 1 hour						
	Malfunction	0.5mm amplitude at frequency of 10 to 55Hz in each of X, Y, Z directions for 10 minutes						
Shock	Mechanical	300m/s ² (Approx. 30G) 3 times at X, Y, Z direction						
	Malfunction	100m/s ² (Approx. 10G) 3 times at X, Y, Z direction						
Ambient temperature	-10 to 50°C (at non-freezing status)							
Storage temperature	-25 to 65°C (at non-freezing status)							
Ambient humidity	35 to 85%RH							
Output capacity	M4M:Non, M4M1P:Relay contact output 250VAC 3A 1c, M4M2P:Relay contact output 250VAC 3A 1c × 2							
Relay life cycle	Mechanical	Min. 10,000,000 times						
	Electrical	Min.100,000 times(250VAC 3A resistive load)						
Display accuracy	DC:F · S ±0.2% rdg ±1Digit 23°C ±5°C, AC:F · S ±0.5% rdg ±1Digit 23°C ±5°C							
Weight	M4M:Approx. 401g, M4M1P:Approx. 467g, M4M2P:Approx. 496g							

Connections

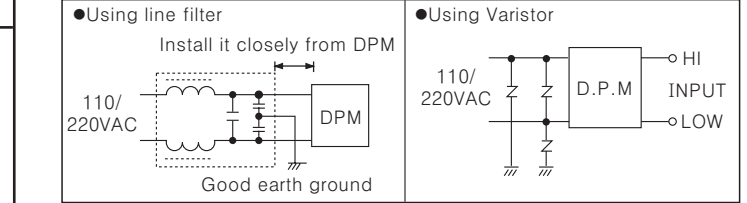


General block diagram

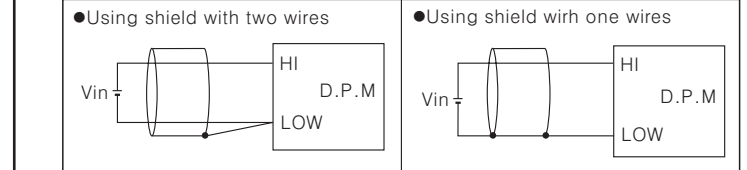


Caution for using

- Installation environment
 - It shall be used indoor
 - Altitude Max. 2000m
 - Pollution Degree 2
 - Installation Category II.
- Please use the terminal(M3.5, Max. 7.2mm) when connect the AC power source.
- Please use separated line from high voltage line or power line in order to avoid inductive noise.
- Please install power switch or circuit breaker in order to cut the power supply.
- The switch or circuit breaker should be installed near by users for safety.
- Be sure to avoid using this unit near by machinery makes strong high frequency noise.(Welding machine, high capacity SCR unit etc.)
- When input applied, if "1999" or "-1999" are displayed, it has some trouble with measuring input, please check the line after power off.
- Noise inflow from power line can be serious problem for products driving of DPM by AC power.
Even though there is condenser for protecting noise between lines in power transformer, but this display unit as small size product, it is very difficult to install protection components.
Therefore, please install line filter, varistor or noise absorber in external lines when voltage failure occurred by power relay or magnet S/W operation, spark with high voltage.



- Input line:Shield wire must be used when the measuring input line is getting longer or there are lots of noises.



※ It may cause malfunction if above instructions are not followed.

Major products

- PROXIMITY SENSOR ■ PHOTOELECTRIC SENSOR ■ AREA SENSOR
- FIBER OPTIC SENSOR ■ DOOR/DOOR SIDE SENSOR
- PRESSURE SENSOR ■ ROTARY ENCODER
- SENSOR CONTROLLER ■ SWITCHING POWER SUPPLY
- TEMPERATURE CONTROLLER
- TEMPERATURE/HUMIDITY TRANSDUCER
- POWER CONTROLLER ■ RECORDER
- TACHOMETER/PULSE(RATE) METER
- PANEL METER ■ INDICATOR
- SIGNAL CONVERTOR ■ COUNTER
- TIMER ■ DISPLAY UNIT
- GRAPHIC PANEL
- STEPPING MOTOR & DRIVER
- MOTION CONTROLLER
- LASER MARKING SYSTEM(CO₂, Nd:YAG)

Autonics Corporation
http://www.autonics.com

Satisfiable Partner For Factory Automation

■ HEAD QUARTERS :
41-5, Yongdang-dong, Yangsan-si, Gyeongsang, 626-847, Korea

■ OVERSEAS SALES :
Bldg. 402 3rd Fl., Bucheon Techno Park, 193, Yaksdae-dong, Wonmi-gu, Bucheon-si, Gyeonggi-do, 420-734, Korea
TEL: 82-32-610-2730 / FAX: 82-32-329-0728
E-mail : sales@autonics.com